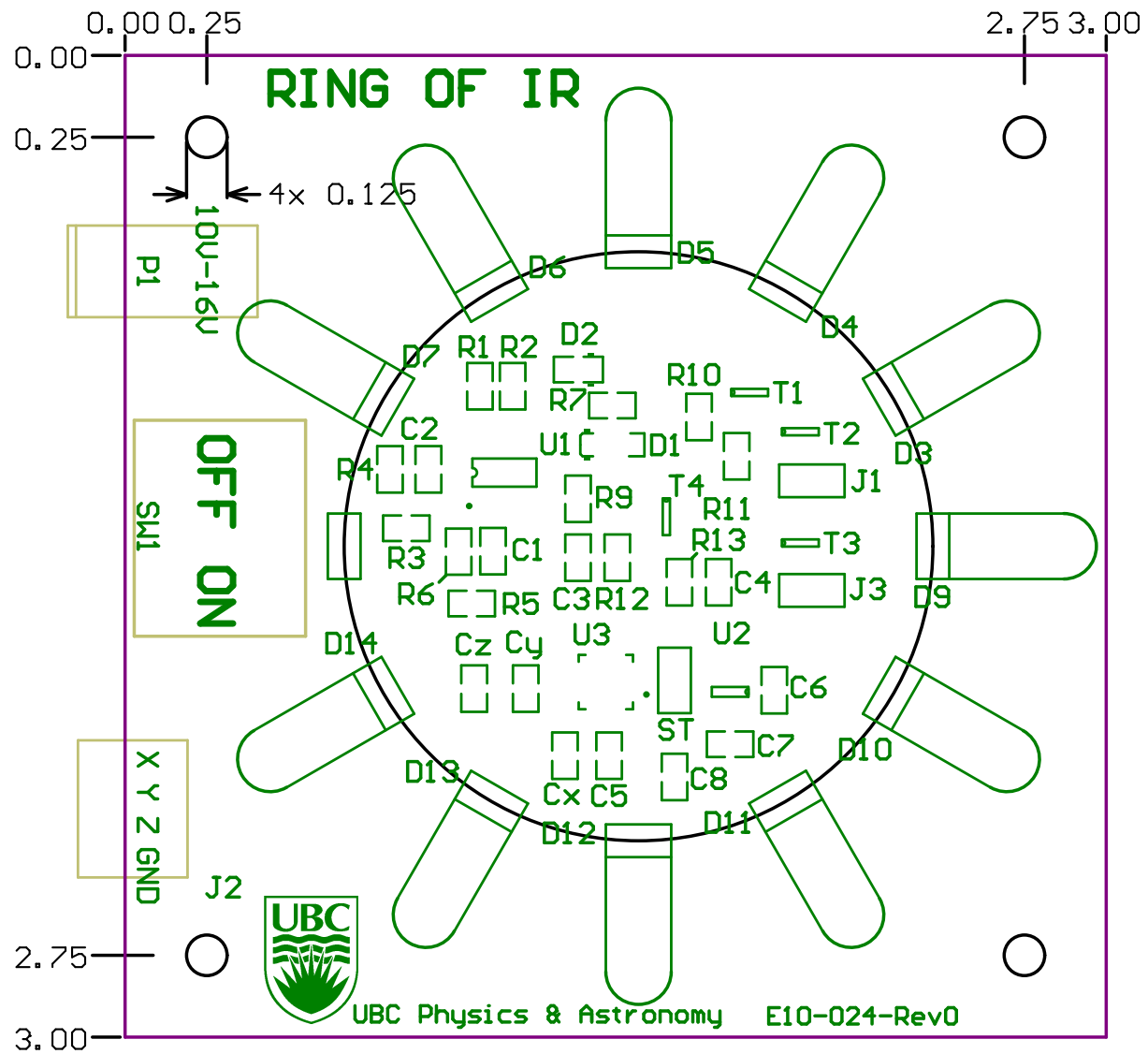


PCB Part Number for BOM:
Add UBC Logo to PCB

Title		
Size: B	Number: E10-024-schematic	Revision: 0
Date: 03/06/2010	Time: 2:12:46 PM	Sheet 1 of 1
File: e10-024_sine_wave_generator.SchDoc		

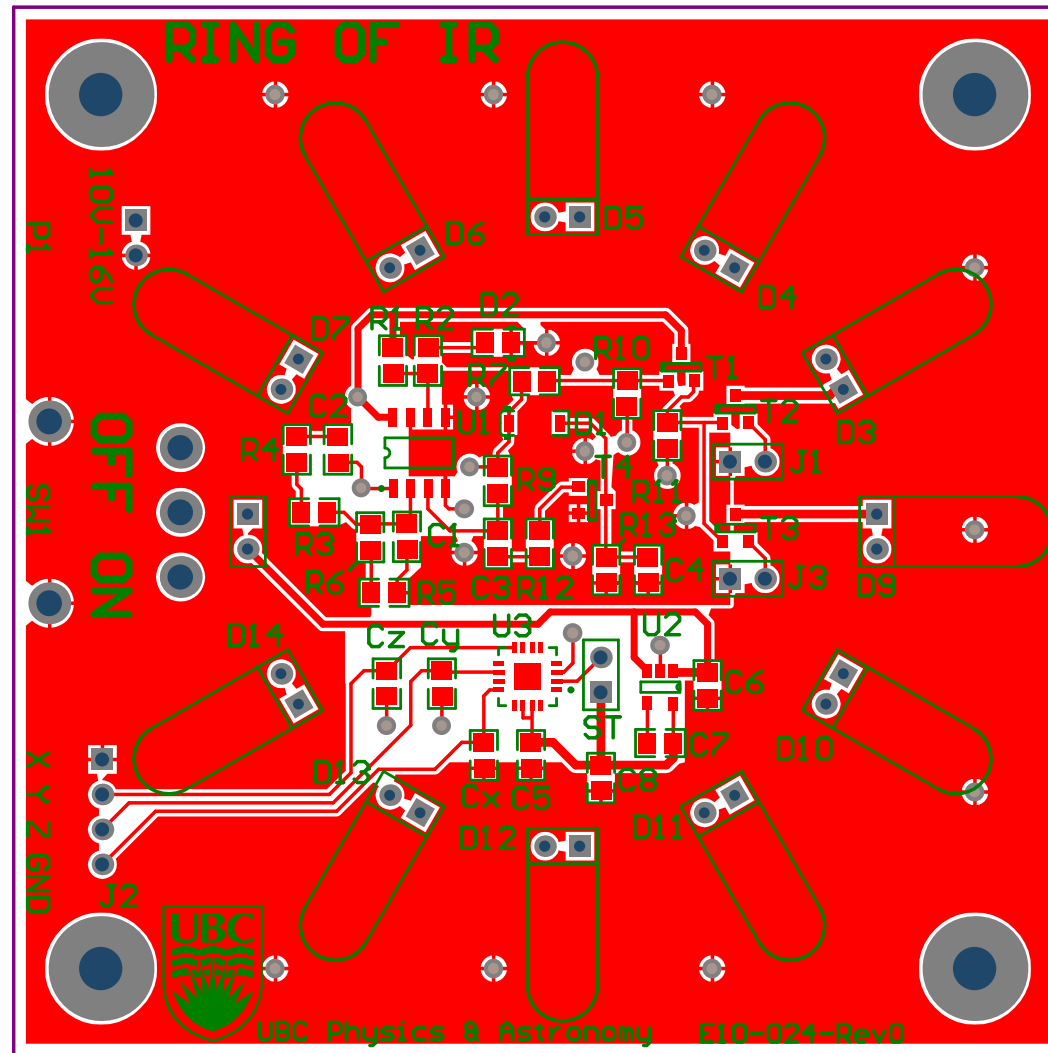
University of British Columbia
Department of Physics & Astronomy
Electronics Lab
6224 Agricultural Road
Vancouver BC V6T 1Z1 Canada



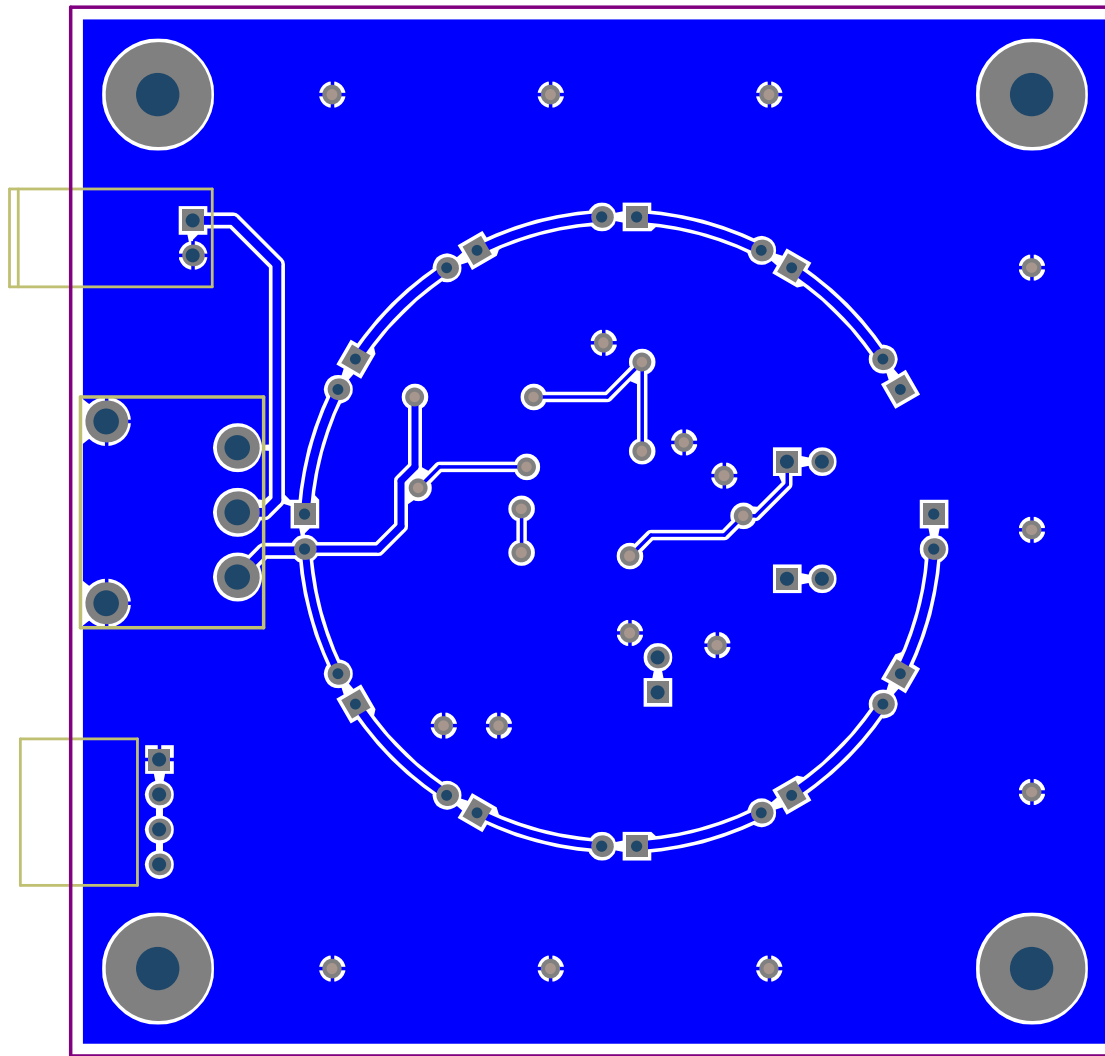


e10-024-rev0.PcbDoc
 Top Overlay
 Assembly

ALL DIMENSIONS IN INCHES

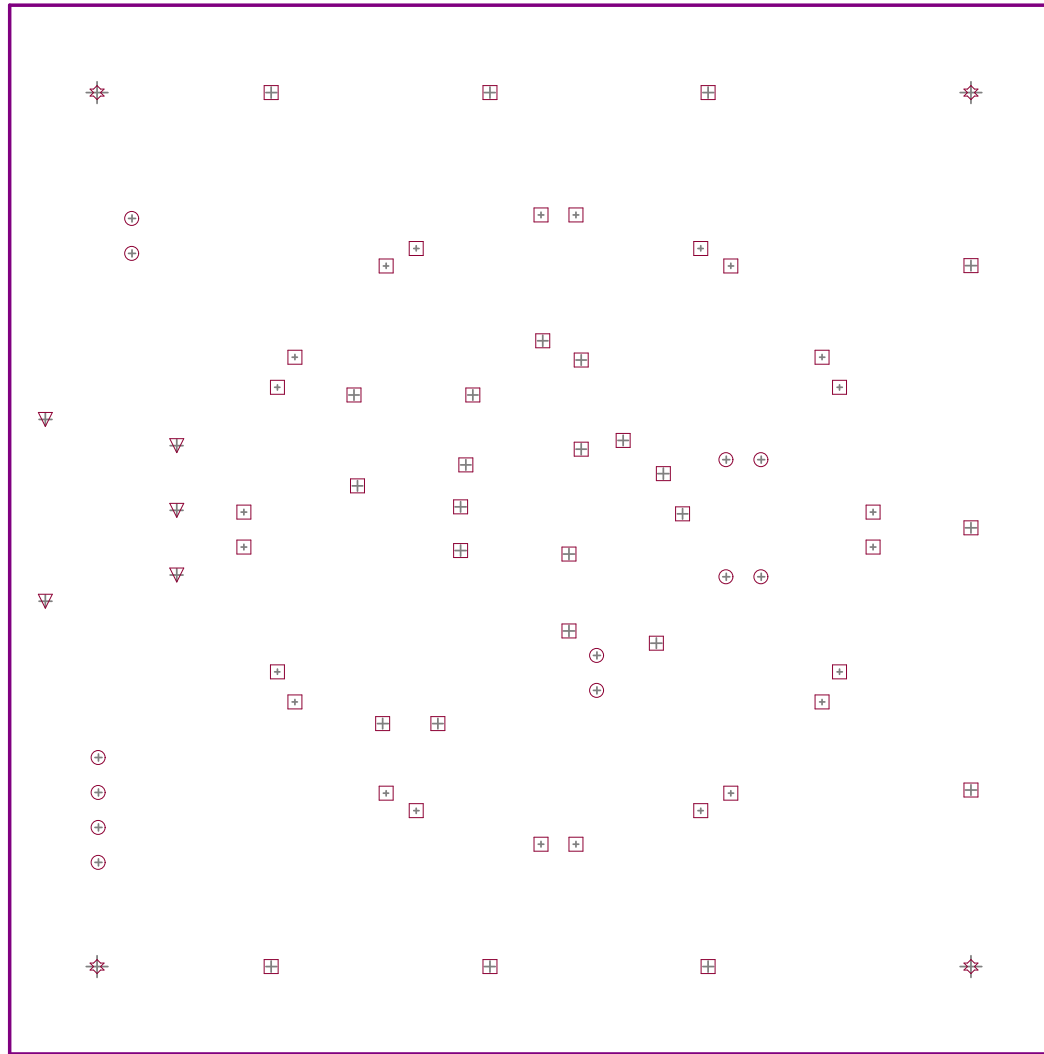


e10-024-rev0.PcbDoc
Top Overlay
Top Layer



e10-024-rev0.PcbDoc
Bottom Layer
Bottom Layer

ALL DIMENSIONS IN INCHES



Symbol	Hit Count	Tool Size	Plated	Hole Type
□	50	31mil (0.7874mm)	PTH	Round
○	12	40mil (1.016mm)	PTH	Round
▽	5	73mil (1.8542mm)	PTH	Round
☆	4	125mil (3.175mm)	PTH	Round
	71 Total			